



# Haiku® Fans H Series

## Quality, Elegance and Efficiency

The H Series ceiling fan from Haiku represents our foremost achievement in design, craftsmanship and technological capability. Built from premium materials like aircraft-grade aluminum and sustainable Moso bamboo, H Series offers an exceptional number of customizable options. Onboard SenseME™ Technology allows for automated fan operation,

tailoring it to fit your unique comfort needs and minimizing energy use year-round. H Series holds top rankings from ENERGY STAR® and is capable of connecting with other smart technologies to significantly reduce the workload of heating and cooling systems.

### SenseME Technology Features



#### Motion Sensor

Detects when you enter or leave a room, turning the fan and LED light on and off automatically



#### Whoosh® Mode

Silently varies fan speed to mimic cooling natural breezes



#### Smart Mode

Alternates between seasonal settings—Smarter Heating and Smarter Cooling—to maintain comfort and maximize energy savings



#### Sleep Mode

Responds to changing conditions to provide customized comfort all night long



#### Scheduling

Sets precise schedules for fan control modes

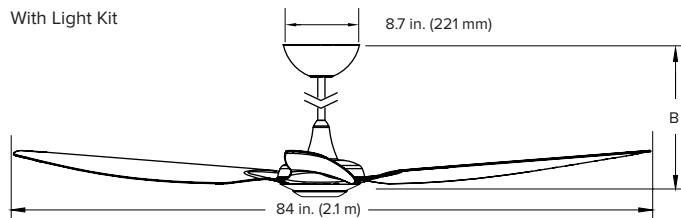
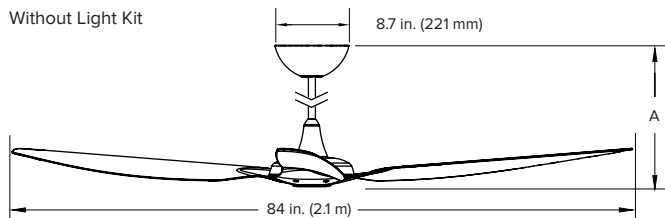


#### Wi-Fi

Connects to the Haiku Home mobile app for fan control and over-the-air updates



# H Series Fans | TECHNICAL SPECIFICATIONS



## Technical Specifications

Model	H Series Bamboo Universal Mount		
Model number <sup>1</sup>	B3213-X4-XX-XX-02-D-01		
Fan diameter	84 in. (2.1 m)		
Extension tube length <sup>2</sup>	7 in. (178 mm)	20 in. (508 mm)	32 in. (813 mm)
Fan height without light (A)	16.8 in. (427 mm)	29.8 in. (757 mm)	41.8 in. (1062 mm)
Fan height with light (B)	17.3 in. (440 mm)	30.3 in. (770 mm)	42.3 in. (1075 mm)
Hanging weight <sup>3</sup>	21 lb (9.5 kg)		
Motor and assembly finishes	Caramel: white, black, satin nickel, oil-rubbed bronze Cocoa: black, satin nickel, oil-rubbed bronze		
Airfoil material	Bamboo		
Airfoil finishes	Caramel or Cocoa		
Number of airfoils	3		
Motor type	EC motor with digital inverter drive		
Number of fan speeds	7		
Operating voltage	100–125 VAC, 1 $\Phi$ , 50–60 Hz 200–240 VAC, 1 $\Phi$ , 50–60 Hz		
RPM (min/max)	44/135 RPM		
Amps (min/max)	0.06/0.32 A		
Watts (min/max)	3.7/38 W		
Controller <sup>4</sup>	Haiku Home app; handheld remote supplied		
Optional light kit	16 dimmable light settings		
Operational temperature range	32° to 104° F (0° to 40° C)		
Environment	Indoor use only		
Warranty (Residential) <sup>5</sup>	Motor	Limited lifetime in the US and Canada	
	All other components	1 year in the US and Canada	
Warranty (Commercial) <sup>5</sup>	Motor	2 years in the US and Canada	
	All other components	1 year in the US and Canada	

<sup>1</sup> XX-XX indicates placeholder numbers, which vary depending on finish options, where the fan is installed, and other factors.

<sup>2</sup> Extended length extension tubes are available in 48 in. (1219 mm) and 60 in. (1524 mm) and are packaged separately. For taller ceilings, a Tall Ceiling Kit is also available.

<sup>3</sup> The actual, precise fan weight will vary based on individual component weights and finishing.

<sup>4</sup> SenseME Technology is supported by Android™ and iOS®. All specifications are subject to change without notice.

<sup>5</sup> Warranties vary by country. See full warranty for details.

## Accessories

### Handheld Remote



### Optional Haiku Wall Control



### Optional Light Kit



### Airfoil Finishes



Caramel Bamboo



Cocoa Bamboo

## Sensors

Environmental sensors	Ambient temperature, surface temperature and relative humidity
Motion	Passive infrared
Communication radio	Embedded Wi-Fi chip



Made in USA  
Haiku with SenseME

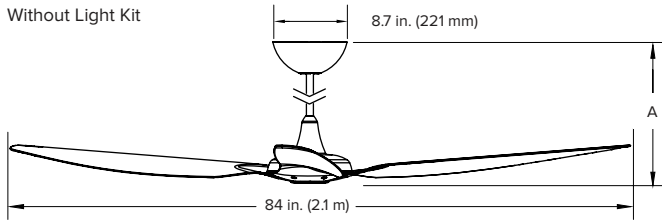


HAIKU  
BY BIG ASS SOLUTIONS

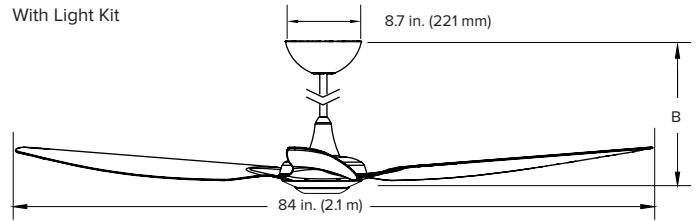
# H Series Fans

## TECHNICAL SPECIFICATIONS

Without Light Kit



With Light Kit



### Technical Specifications

Model	H Series Aluminum Universal Mount		
Model number <sup>1</sup>	B3213-X4-XX-XX-02-D-01-F421		
Fan diameter	84 in. (2.1 m)		
Extension tube length <sup>2</sup>	7 in. (178 mm)	20 in. (508 mm)	32 in. (813 mm)
Fan height without light (A)	16.8 in. (427 mm)	29.8 in. (757 mm)	41.8 in. (1062 mm)
Fan height with light (B)	17.3 in. (440 mm)	30.3 in. (770 mm)	42.3 in. (1075 mm)
Hanging weight <sup>3</sup>	26 lb (11.8 kg)		
Motor and assembly finishes	Black or white		
Airfoil material	Aluminum		
Airfoil finishes	Polished, black, white, or yellow		
Number of airfoils	3		
Motor type	EC motor with digital inverter drive		
Number of fan speeds	7		
Operating voltage	100–125 VAC, 1 Φ, 50–60 Hz 200–240 VAC, 1 Φ, 50–60 Hz		
RPM (min/max)	44/135 RPM		
Amps (min/max)	0.07/0.44 A		
Watts (min/max)	4.2/52 W		
Controller <sup>4</sup>	Haiku Home app; handheld remote supplied		
Optional light kit	16 dimmable light settings		
Operational temperature range	32° to 104° F (0° to 40° C)		
Environment <sup>5</sup>	Indoor or covered outdoor use		
Warranty (Residential) <sup>6</sup>	Motor	Limited lifetime in the US and Canada	
	All other components	1 year in the US and Canada	
Warranty (Commercial) <sup>6</sup>	Motor	2 years in the US and Canada	
	All other components	1 year in the US and Canada	

### Accessories

Handheld Remote



Optional Haiku Wall Control



Optional Light Kit



Airfoil Finish



Black



White



Yellow



Polished Aluminum

### Sensors

Environmental sensors	Ambient temperature, surface temperature and relative humidity
Motion	Passive infrared
Communication radio	Embedded Wi-Fi chip

<sup>1</sup> XX-XX indicates placeholder numbers, which vary depending on finish options, where the fan is installed, and other factors.

<sup>2</sup> Extended length extension tubes are available in 48 in. (1219 mm) and 60 in. (1524 mm) and are packaged separately. For taller ceilings, a Tall Ceiling Kit is also available.

<sup>3</sup> The actual, precise fan weight will vary based on individual component weights and finishing.

<sup>4</sup> SenseME Technology is supported by Android™ and iOS®. All specifications are subject to change without notice.

<sup>5</sup> Certified by ETL/Intertek-certified to UL 507 damp rated applications

<sup>6</sup> Warranties vary by country. See full warranty for details.



Made in USA  
Haiku with SenseME

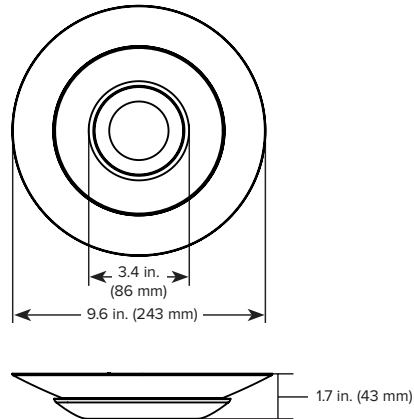


HAIKU  
BY BIG ASS SOLUTIONS

Accessory:

# Haiku Light Kit

## TECHNICAL SPECIFICATIONS



Technical Specifications	
Operating voltage	12/24 VDC
Operating current	1.5 Adc (100% PWM)
Nominal input power	16.3 W
Operating temperature	32° to 104° F (0° to 40° C)
Lens diameter	5.7 in. (145 mm)
Nominal lumen output	1280 Lm
CRI	82
Corresponding color temperature	2700 K
Dimming range	3–100%
Operating life expectancy	50,000 hours
Lens color	Diffused clear and smoky options included
Controller	On/Off control Digital dimmer
Warranty*	1 year in the US and Canada

\*Warranties vary by country. See full warranty for details.

